

# MWH

## Low Flow MicroWhirl Misting Head

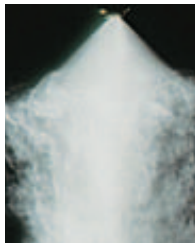
### DESIGN FEATURES

- Finest atomization of any direct pressure multi-nozzle
- Rugged construction
- Minimum operating pressure 70 bar
- Other manifolds and flow rates available

### SPRAY CHARACTERISTICS

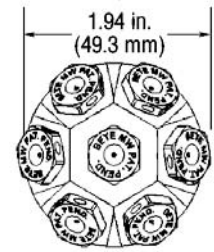
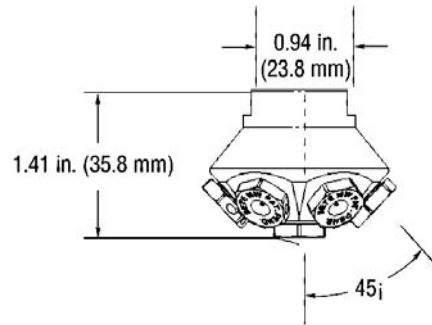
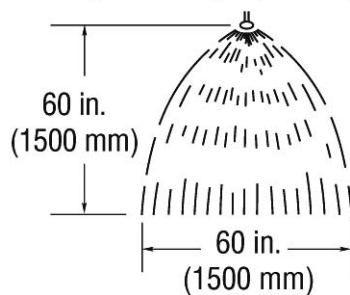
- Finest fog of any direct pressure nozzle
- Spray pattern:** Cone-shaped Fog  
**Flow rates:** 4.2 to 8.7 l/min

See the MicroWhirl (pg 66) for more information



Fog

Coverage at 1500 psi (100 bar)



Dimensions are approximate. Check with BETE for critical dimension applications.

### MicroWhirl Head Flow Rates and Dimensions

Fogging, 90° Spray Angle

Pipe Size	Nozzle Number	K Factor	LITERS PER MINUTE @ BAR			Approx. Orifice Dia. (mm)	Wt. (g)
			70 bar	150 bar	300 bar		
1/2"	MW1207	0.5	4.2	6.1	8.7	0.56	184

$$\text{Flow Rate (l/min)} = K\sqrt{\text{bar}}$$

Standard Materials: 316 Stainless Steel, Viton® O-ring.

Spray angle performance varies with pressure. Contact BETE for specific data on critical applications.



MISTING

CALL 413-772-0846  
 Call for the name of your nearest BETE representative.